



**Pb-free  
HEAT**



# VEW1147LS

PLCC-2 Type White LED  
(High Reliability type, White V-Series)

## Features

Package	PLCC-2 Type, Diffused pale yellow resin
Product features	<ul style="list-style-type: none"> <li>• Outer Dimension 3.6 x 2.8 x 1.9mm( L x W x H )</li> <li>• Wide operation temperature range. Storage Temperature : -40°C~110°C Operating Temperature : -40°C~100°C Operation Guarantee</li> <li>• Spatial distribution characteristics. (2θ 1/2 : 120deg)</li> <li>• Corresponding to a use requiring high reliability in cars etc...</li> <li>• Lead-free soldering compatible</li> <li>• RoHS compliant</li> </ul>
Chromaticity coordinates	x = 0.31TYP., y = 0.32TYP. (Condition : I <sub>F</sub> =30mA)
Spatial distribution	120 deg.
Die materials	InGaN
Optical efficiency	40.4lm/W
Rank grouping parameter	Sorted by luminous intensity and chromaticity per rank taping
Assembly method	Auto pick & place machine (Auto Mounter)
Soldering methods	Reflow soldering and manual soldering
Taping and reel	2,000pcs per reel in a 8mm width tape. (Standard) Reel diameterφ 180mm
ESD	1kV (HBM)

## Recommended Applications

SW lighting for car indicators, meter panel, car audio and heater control, etc...

## Color and Luminous Intensity

(Ta=25°C)

Part No.	Material	Emitted Color	Lens Color	Luminous Intensity			Luminous Flux	
				I <sub>v</sub> (mcd)			φ <sub>v</sub> (lm)	
				MIN.	TYP.	I <sub>F</sub>	TYP.	I <sub>F</sub>
VEW1147LS	InGaN	White	Pale Yellow	1,000	1,500	30	4.0	30

※Note : The above luminous intensity(I<sub>v</sub>) is the setup values of the sorting machine.  
 (Tolerance : I<sub>v</sub>...±10%)

## Absolute Maximum Ratings

(Ta=25°C)

Item	Symbol	Absolute Maximum Ratings	Unit
Power Dissipation	$P_d$	114	mW
Forward Current	$I_F$	30	mA
Pulse Forward Current ※1	$I_{FRM}$	100	mA
Derating (Ta=85°C or higher)	$\Delta I_F$	1.20	mA/°C
	$\Delta I_{FRM}$	4	mA/°C
Reverse Voltage	$V_R$	5	V
Operating Temperature	$T_{opr}$	-40~+100	°C
Storage Temperature	$T_{stg}$	-40~+110	°C

 ※1  $I_{FRM}$  Measurement condition : Pulse Width  $\leq$  1ms, Duty  $\leq$  1/10

## Thermal Characteristics

Item	Symbol	Ratings	Unit
Junction Temperature (MAX.)	$T_j$	110	°C
Thermal Resistance (TYP.) (Junction/ ambient)	$R_{(th\ j-a)}$	230	°C/W
Thermal Resistance (TYP.) (Junction/ Solder Point)	$R_{(th\ j-s)}$	90	°C/W

 ※Rth(j-a) Measurement Condition / Substrate: FR4(t=1.6mm) Pattern Size: 16mm<sup>2</sup>.

## Electro-Optical Characteristics

(Ta=25°C)

Item	Condition	Symbol	Characteristics		Unit
			MIN.	MAX.	
Forward Voltage	I <sub>F</sub> =30mA	V <sub>F</sub>	MIN.	2.8	V
			TYP.	3.3	
			MAX.	3.8	
Reverse Current	V <sub>R</sub> =5V	I <sub>R</sub>	MAX.	100	μ A
Half Intensity Angle	I <sub>F</sub> =30mA	2θ 1/2	TYP.	120	deg.
Chromaticity Coordinates	I <sub>F</sub> =30mA	x	TYP.	0.31	-
		y	TYP.	0.32	-

## Luminous Intensity Rank

(Ta=25°C)

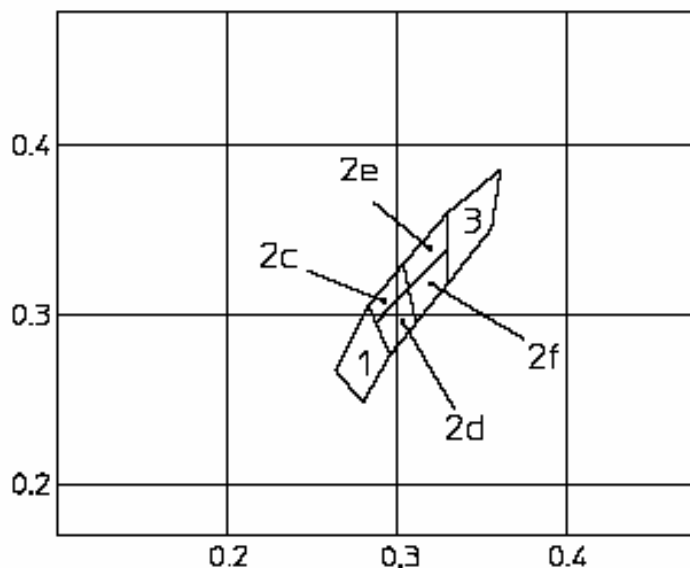
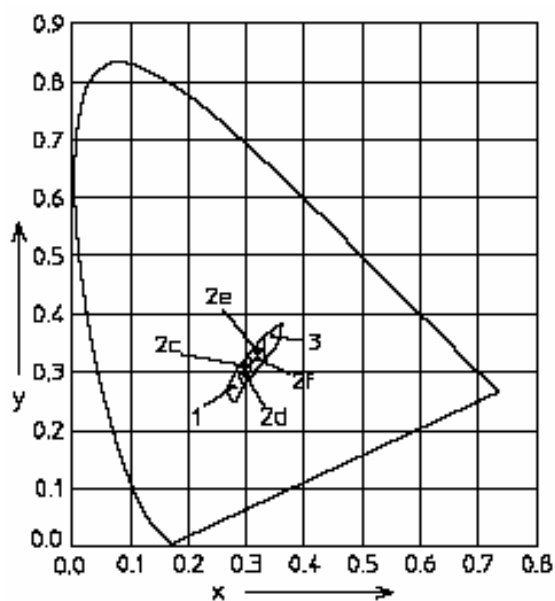
Intensity Tolerance each Rank : +/-10%

Rank	I <sub>v</sub> (mcd)		Condition
	MIN.	MAX.	
D1	1,000	1,200	I <sub>F</sub> =30mA
D2	1,200	1,500	
D3	1,500	1,800	
D4	1,800	2,200	
D5	2,200	2,700	

Please contact our sales staff concerning rank designation.

## Sorting Chart for Chromaticity Coordinates

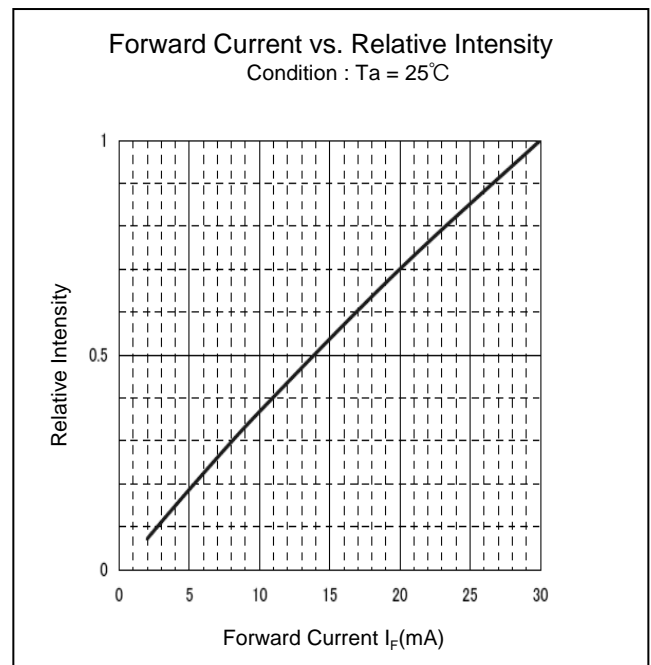
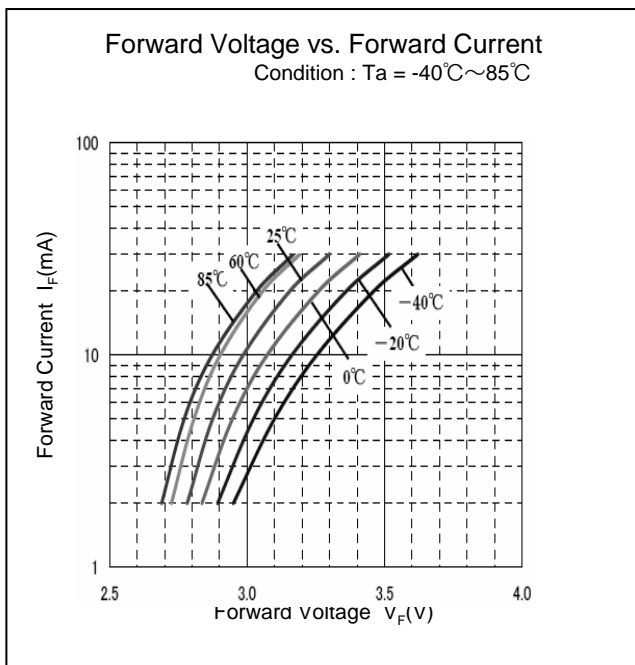
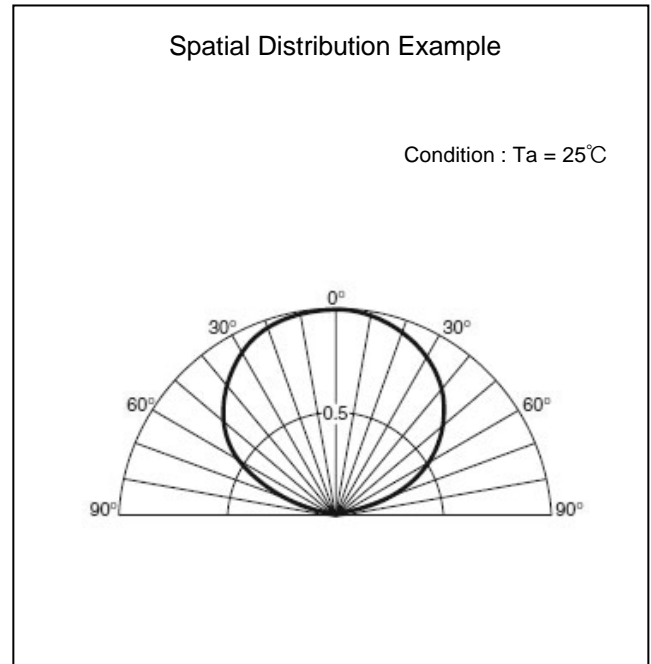
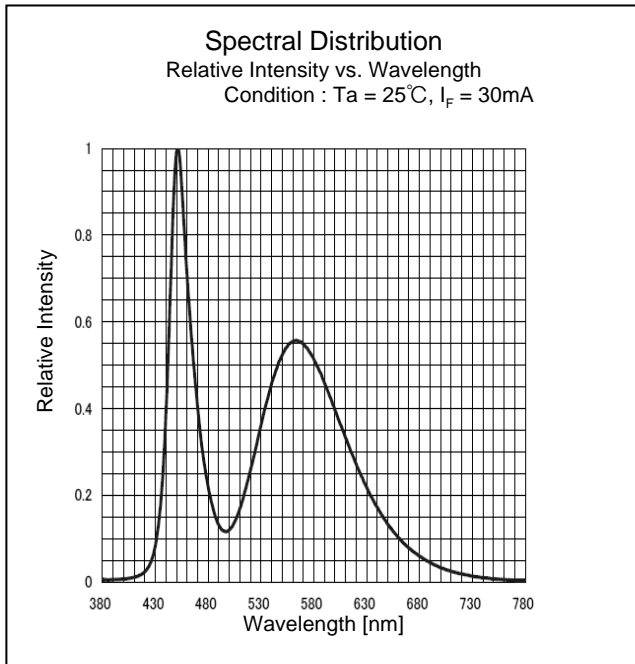
Chromaticity Coordinates Tolerance Each Rank : +/-0.01



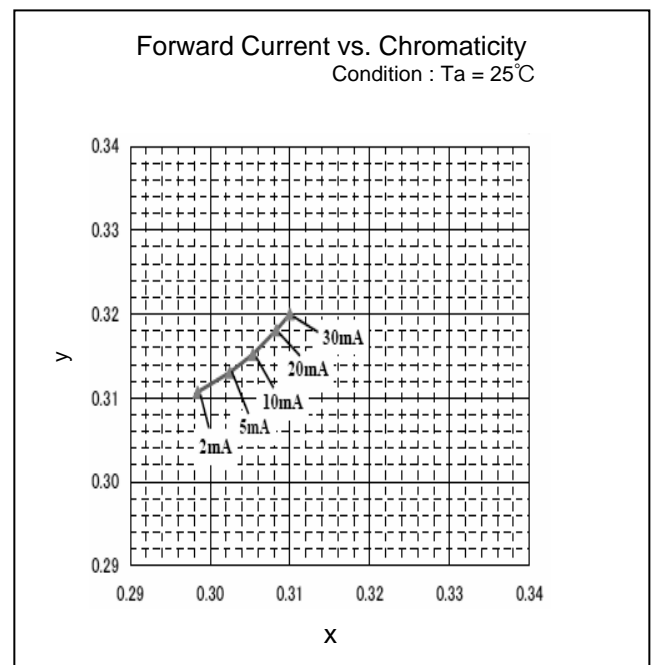
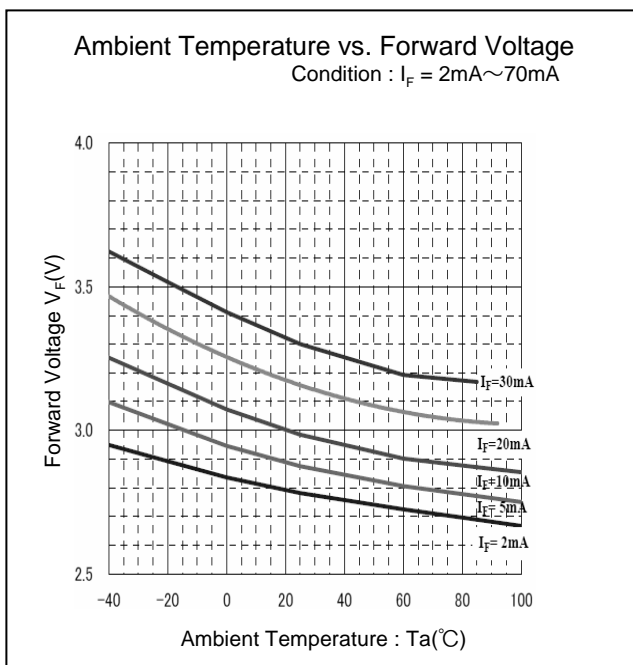
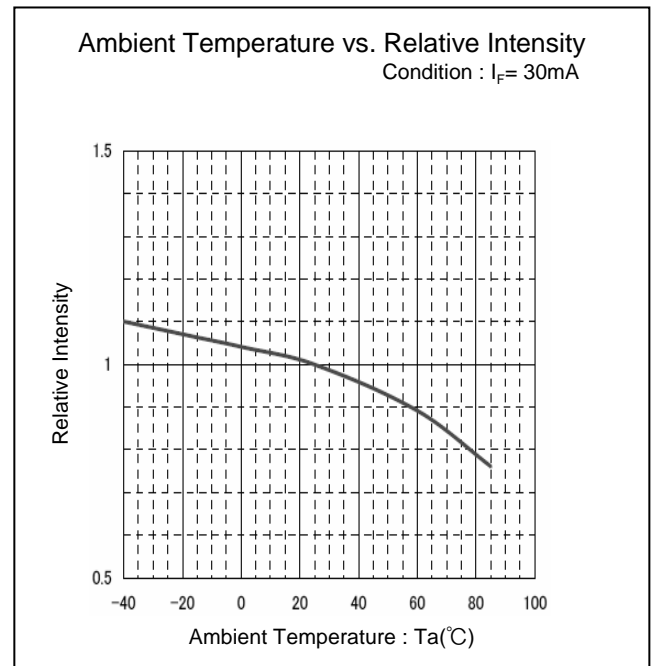
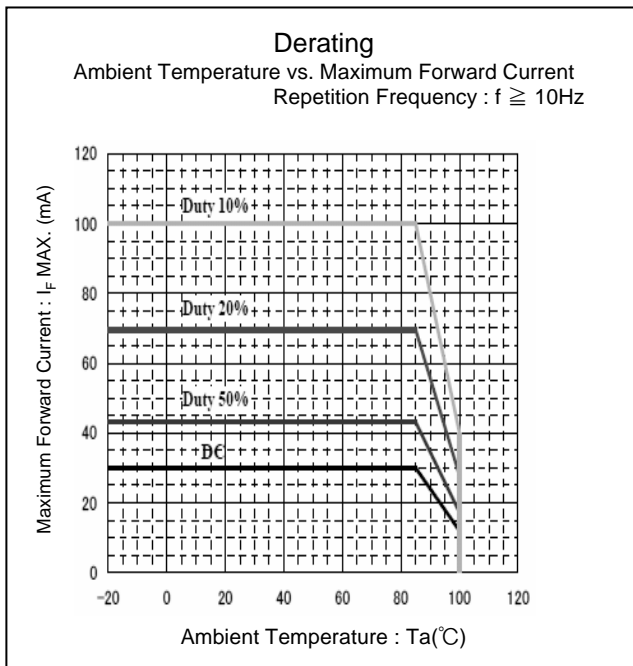
Rank	LEFT DOWN point		LEFT UP point		RIGHT UP point		RIGHT UP point	
	x	y	x	y	x	y	x	y
1	0.280	0.248	0.264	0.267	0.283	0.305	0.296	0.276
2c	0.287	0.295	0.283	0.305	0.304	0.330	0.307	0.315
2d	0.296	0.276	0.287	0.295	0.307	0.315	0.311	0.294
2e	0.307	0.315	0.304	0.330	0.330	0.360	0.330	0.339
2f	0.311	0.294	0.307	0.315	0.330	0.339	0.330	0.318
3	0.330	0.318	0.330	0.360	0.361	0.385	0.356	0.351

Please contact our sales staff concerning rank designation.

## Technical Data

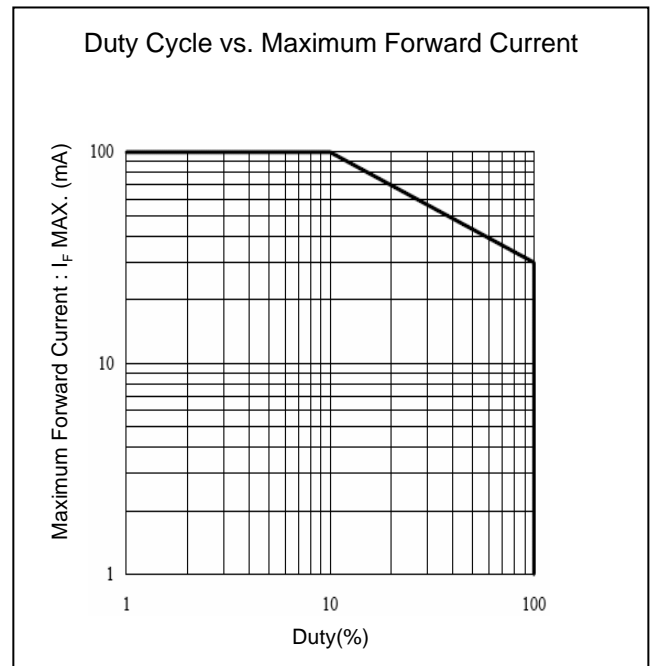
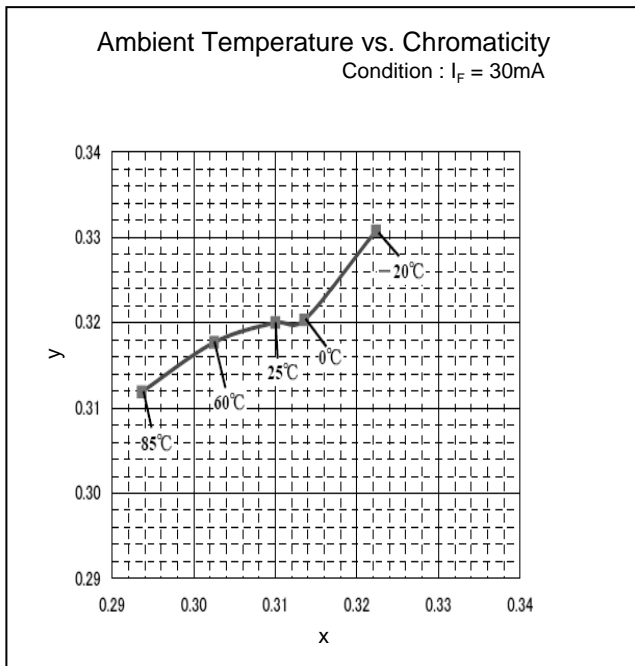


## Technical Data



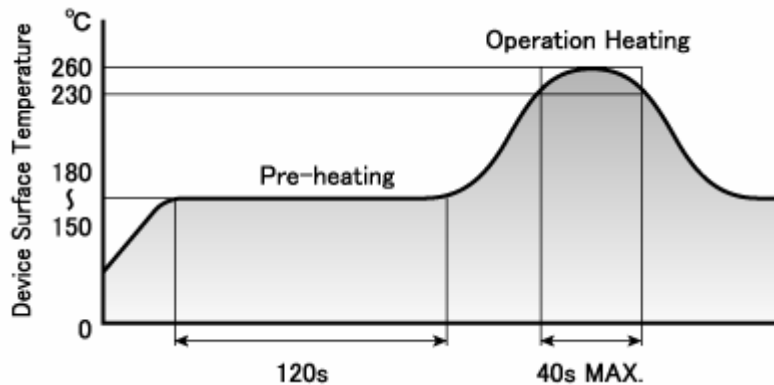


## Technical Data





## Reflow Soldering Conditions



- 1) The above profile temperature gives the maximum temperature of the LED resin surface. Please set the temperature so as to avoid exceeding this range.
- 2) Total times of reflow soldering process shall be no more than 2 times. When the second reflow soldering process is performed, intervals between the first and second reflow should be short as possible (while allowing some time for the component to return to room temperature after the first reflow) in order to prevent the LED resin from absorbing moisture.
- 3) Temperature fluctuation to the LED during the pre-heating process shall be minimized. (6°C maximum)

## Manual Soldering Conditions

Iron tip temp.	350 °C	(MAX.)
Soldering time and frequency	3 s	(MAX.)
	1 time	(MAX.)

## Reliability Testing Result

Reliability Testing Result	Applicable Standard	Testing Conditions	Duration	Failure
Room Temp. Operating Life	EAJED-4701/100(101)	Ta = 25°C, If = 30mA	1,000 h	0/20
High Temp. Operating Life	EAJED-4701/100(101)	Ta = 85°C, If = 30mA	1,000 h	0/20
Low Temp. Operating Life	EAJED-4701/100(101)	Ta = -40°C, If = 30mA	1,000 h	0/20
Wet High Temp. Operating Life	EAJED-4701/100(102)	Ta = 60°C, 90%, If = 30mA	1,000 h	0/20
Wet High Temp. Storage Life	EAJED-4701/100(103)	Ta = 60°C, 90%	1,000 h	0/20
Thermal Shock	EAJED-4701/100(105)	Ta = -40°C ~ 110°C (each 15min.)	1,000 cycles	0/20
Thermal Shock Operating	EAJED-4701/100(105)	Ta = -40°C(OFF) ~ 85°C(If = 30mA ON) (each 15min.)	1,000 cycles	0/20
High Temp. Storage Life	EAJED-4701/200(201)	Ta = 110°C	1,000 h	0/20
Low Temp. Storage Life	EAJED-4701/200(202)	Ta = -40°C	1,000 h	0/20
Cycled Temp. Humidity Operating Life	EAJED-4701/200(203)	Ta = -30°C(2h) ~ 80°C, 95%(2h), 8h/ cycle If = 30mA 5min on-off	30 cycles	0/20
Resistance to Reflow Soldering	EAJED-4701/300(301)	Moisture Soak : 30°C, 70%, 168h Preheat : 150°C~180°C (120s Max.) Soldering Temp. : 260°C (5s)	Twice	0/20
Electric Static Discharge (ESD) <sup>※1</sup>	EAJED-4701/300(304)	C = 100pF, R2 = 1.5KΩ, ±2,000V	once each polarity	0/20
Vibration, Variable Frequency	EAJED-4701/400(403)	98.1m/s <sup>2</sup> (10G), 100 ~ 2KHz, 20min. XYZ each direction	2 h	0/20

※1 Reference test

## Failure Criteria

Items	Symbols	Conditions	Failure criteria
Luminous Intensity	Iv	If=30mA	Testing Min. Value < Spec. Min. Value x 0.5
Forward Voltage	Vf	If=30mA	Testing Max. Value ≥ Spec. Max. Value x 1.2
Reverse Current	Ir	Vr=5V	Testing Max. Value ≥ Spec. Max. Value x 2.5
Cosmetic Appearance	-	-	Occurrence of notable decoloration, deformation and cracking

## Special Notice to Customers Using the Products and Technical Information Shown in This Data Sheet

- 1) The technical information shown in the data sheets are limited to the typical characteristics and circuit examples of the referenced products. It does not constitute the warranting of industrial property nor the granting of any license.
- 2) For the purpose of product improvement, the specifications, characteristics and technical data described in the data sheets are subject to change without prior notice. Therefore it is recommended that the most updated specifications be used in your design.
- 3) When using the products described in the data sheets, please adhere to the maximum ratings for operating voltage, heat dissipation characteristics, and other precautions for use. We are not responsible for any damage which may occur if these specifications are exceeded.
- 4) The products that have been described to this catalog are manufactured so that they will be used for the electrical instrument of the benchmark (OA equipment, telecommunications equipment, AV machine, home appliance and measuring instrument).  
The application of aircrafts, space borne application, transportation equipment, medical equipment and nuclear power control equipment, etc. needs a high reliability and safety, and the breakdown and the operation might influence the life or the human body. Please consult us beforehand if you plan to use our product for the usages of aircrafts, space borne application, transportation equipment, medical equipment and nuclear power control equipment, etc. except OA equipment, telecommunications equipment, AV machine, home appliance and measuring instrument.
- 5) In order to export the products or technologies described in this data sheet which are under the "Foreign Exchange and Foreign Trade Control Law," it is necessary to first obtain an export permit from the Japanese government.
- 6) No part of this data sheet may be reprinted or reproduced without prior written permission from Stanley Electric Co., Ltd.
- 7) The most updated edition of this data sheet can be obtained from the address below:  
<http://www.stanley-components.com>